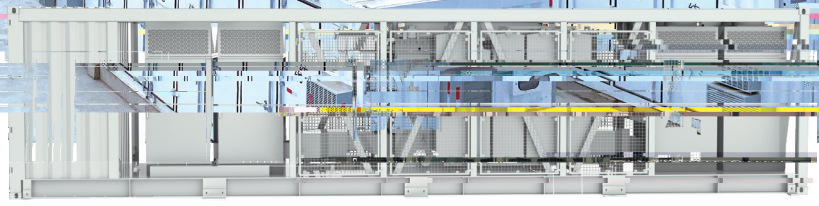
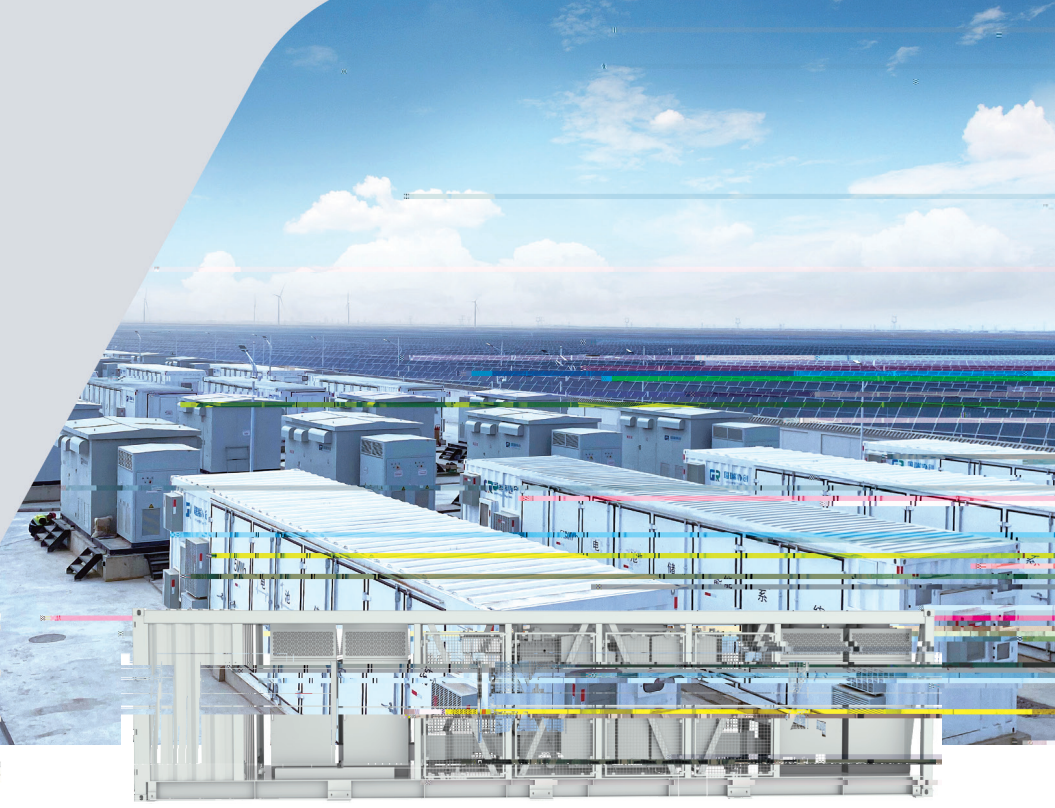


5~10MW



20 /40

C4-C5

PCS C5

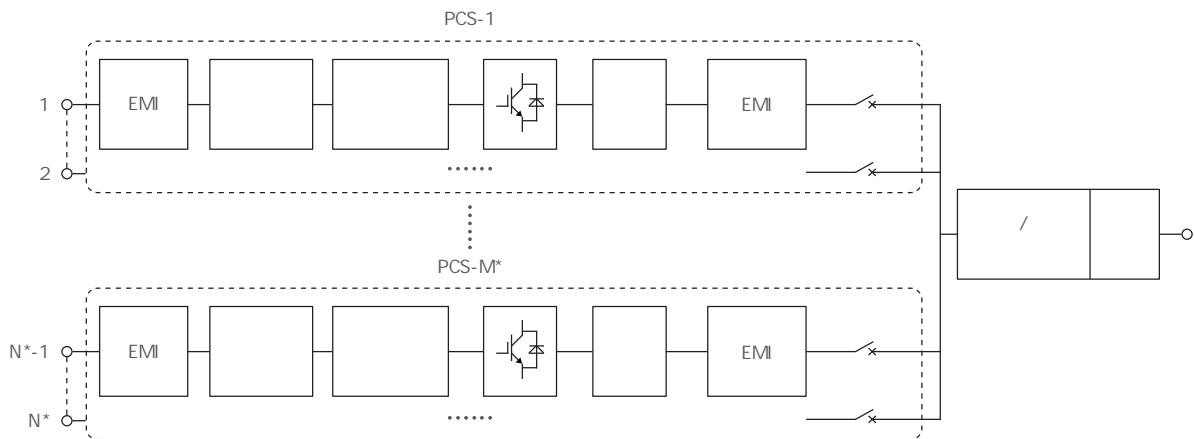
PCS

51

PQ VSG

<13kg

6~35kV



HPPS-5000/5000A: M*=2 N*=2 or 4
HPPS-10000/10000A: M*=4 N*=4 or 8

	HPPS-5000	HPPS-5000A	HPPS-10000	HPPS-10000A
	4		8	4
	1406A*4	2812A*2	1406A*8	2812A*4
	1000-1500V			
	5000kW		10000kW	
	5500kW		11000kW	
	690Vac			
	0-5250kvar		0-10500kvar	
	6-35kV		33 / 35kV	
	50Hz / 60Hz			
	<3%			
	-1-1			
	5250kVA		10500kVA	
LV/MV	0.69 / 6-35 kV		0.69 / 0.69 / 33 / 35 kV	
* *)	6058*2438*2896mm		12192*2438*2896mm	
	-40~+60 PCS 51		40 51	
	4-100%			
	4000m 3000m			
	IP54 PCS IP66			
BMS	RS485 / CAN			
EMS				
	Modbus TCP / IEC 61850 / IEC 104 / Modbus RTU / CAN 2.0			
	IEC 61683 IEC 60068 IEC 62116 IEC 61000 IEC 62477 IEC TS 62910			
	/			

